

## FDL (/C, /V) Plate magnets

Separation system for various industries



**Bakker Magnetics**

Always ahead.

## Datasheet Bakker Magnetics

FDL type plate magnets are used for separating iron from less severely contaminated materials. To ensure a robust construction and flexible mounting possibilities, this type of magnet is built with a steel omega profile. This means the magnets also have flanges on which hinges or locks can be mounted. The surface that comes in contact with the material flow is wear resistant. On special order, the magnets can also be supplied with a stainless steel cover for the magnetic surface.

### **FDL Plate magnet**

**version 1.2**

- Execution : Plate magnet type FDL  
Sturdy construction  
Permanent magnetic
- Housing : Steel S235 with thread holes in the back
- Surface treatment : Anti-corrosion primer  
Painted blue RAL5015
- Magnetic part : Permanent ceramic magnets quality BM7 or  
Permanent Neodymium magnets quality BM35

Under normal circumstances Bakker Magnetics provides a life-time guarantee on the applied ceramic magnets.

### **Standard ceramic version (FDL)**

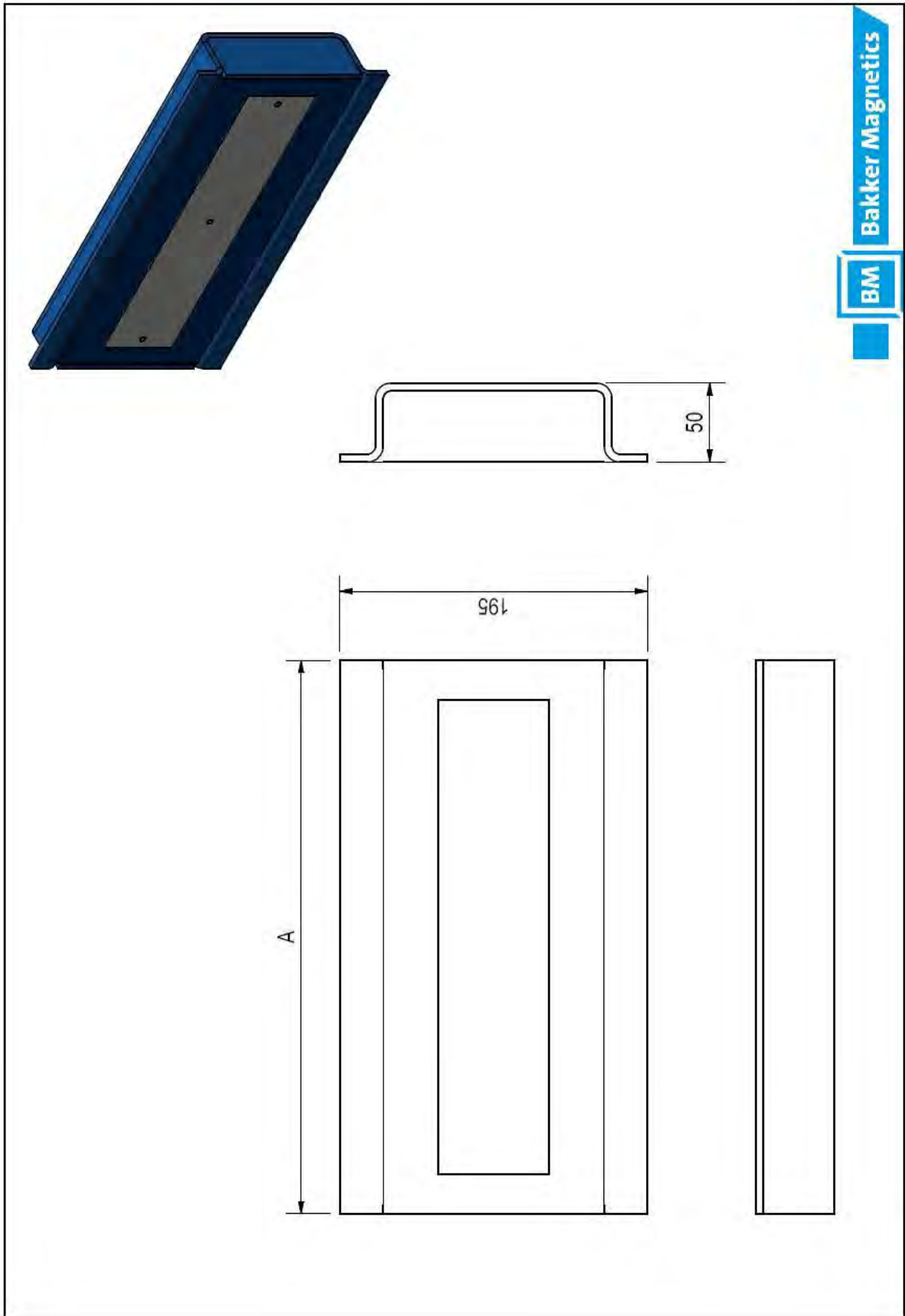
Article number	A	Weight (kg)
21.004	200	5,7
21.005	250	7,2
21.006	300	8,4
21.007	350	9,8
21.008	400	11,2
21.009	450	12,6
21.010	500	14,0
21.011	550	15,4
21.012	600	16,8

Sizes and dimensions (in mm) as shown on the drawing on the next page.



**Bakker Magnetics**

Always ahead.



## Datasheet Bakker Magnetics

### FDL/C Plate magnet

---

- Execution : Plate magnet type FDL/C  
Sturdy construction  
Permanent magnetic  
Ferrous particles are collected behind the raised edge of the sloping pole.
- Housing : Steel S235 with thread holes in the back  
Sloping pole on the surface
- Surface treatment : Anti-corrosion primer  
Painted blue RAL5015
- Magnetic part : Permanent ceramic magnets quality BM7 or  
Permanent Neodymium magnets quality BM35

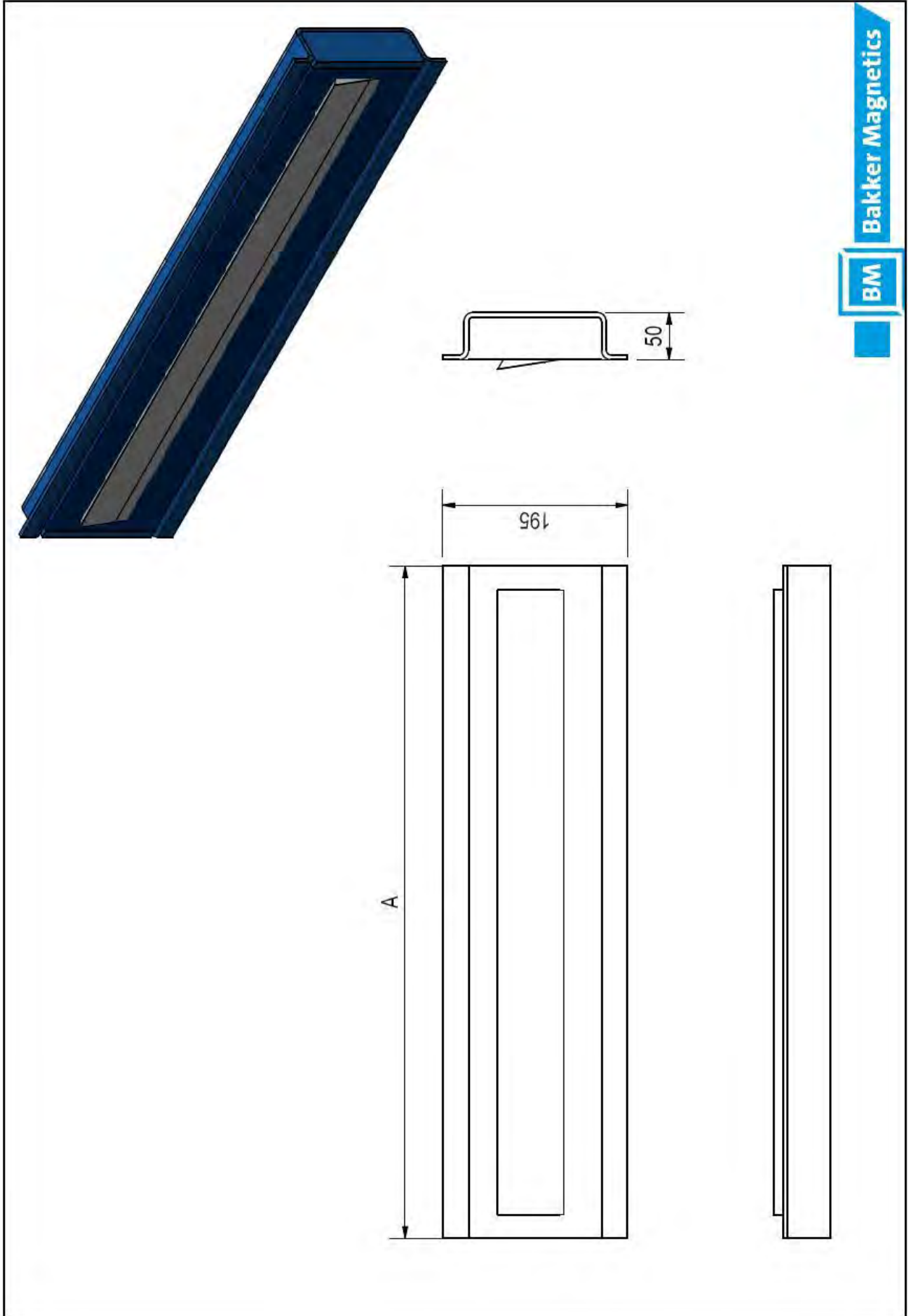
Under normal circumstances Bakker Magnetics provides a life-time guarantee on the applied ceramic magnets.

#### **Standard ceramic version (FDL/C)**

Article number	A	Weight (kg)
23.001	100	3,2
23.002	125	4,0
23.003	150	4,8
23.004	200	6,4
23.005	250	8,0
23.006	300	9,6
23.007	350	11,2
23.008	400	12,8
23.009	450	14,4
23.010	500	16,0
23.011	550	17,6
23.012	600	19,2
23.013	650	20,8
23.014	700	22,4
23.015	750	24,0
23.016	800	25,6
23.017	850	27,2
23.018	900	28,8
23.019	950	30,4
23.020	1000	32,0

Sizes and dimensions (in mm) as shown on the drawing on the next page.





Bakker Magnetics

BM

## Datasheet Bakker Magnetics

### FDL/V Plate magnet

---

- Execution : Plate magnet type FDL/V  
Sturdy construction  
Permanent magnetic  
Equipped with 'fingers' to give a thorough separation of ferrous particles.
- Housing : Steel S235 with thread holes in the back
- Fingers : Ø12x60mm
- Surface treatment : Anti-corrosion primer  
Painted blue RAL5015
- Magnetic part : Permanent ceramic magnets quality BM7 or  
Permanent Neodymium magnets quality BM35

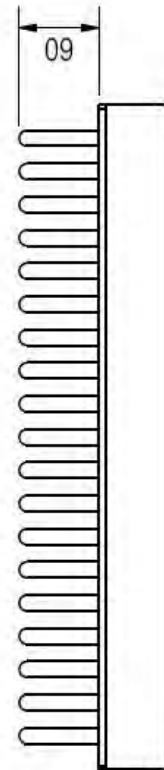
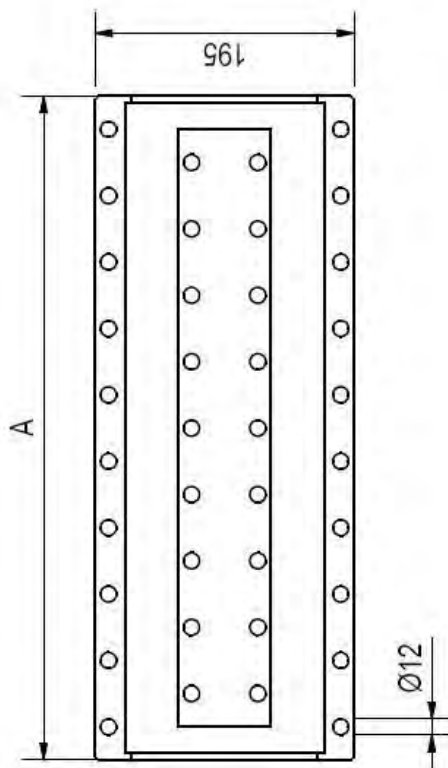
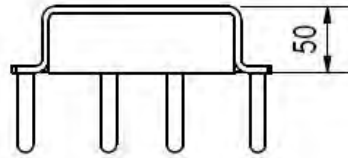
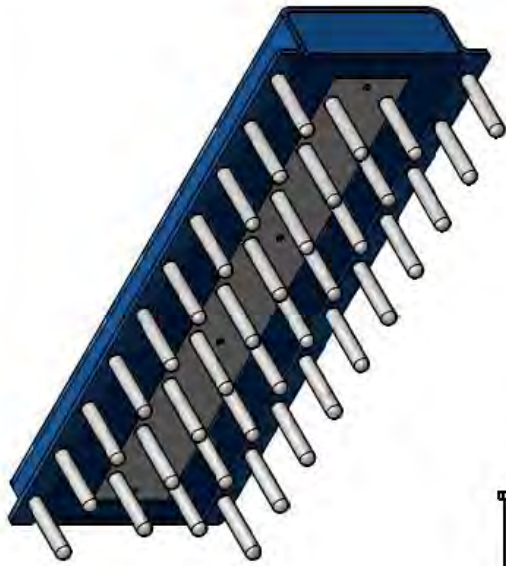
Under normal circumstances Bakker Magnetics provides a life-time guarantee on the applied ceramic magnets.

#### **Standard ceramic version (FDL/V)**

Article number	A	Weight (kg)
22.001	100	3,2
22.002	125	4,0
22.003	150	4,8
22.004	200	6,4
22.005	250	8,0
22.006	300	9,6
22.007	350	11,2
22.008	400	12,8
22.009	450	14,4
22.010	500	16,0
22.011	550	17,6
22.012	600	19,2
22.013	650	20,8
22.014	700	22,4
22.015	750	24,0
22.016	800	25,6
22.017	850	27,2
22.018	900	28,8
22.019	950	30,4
22.020	1000	32,0

Sizes and dimensions (in mm) as shown on the drawing on the next page.





For more information or questions please contact us:

**Bakker Magnetics**

Sciencepark Eindhoven 5502  
5692 EL Son, The Netherlands

Division: Magnetic Separation Technology

Phone : +31 (0) 40 2 678 840

Mail : [mst@bakkermagnetics.com](mailto:mst@bakkermagnetics.com)

*Dimensions and shape of the magnet, in combination with required manufacturing processes, may cause the magnetic and physical characteristics to vary from typical values. Therefore, all data presented in this document are for general reference only and should not be relied upon to represent standard characteristics, nor are they guaranteed upon use. Bakker Magnetics reserves the right to change information in this document, including magnet performance standards, specifications, and characteristics without notice.*



Always ahead.