



# TM Drum magnets

Separation system for recycling industries



**Bakker Magnetics**

Always ahead.

## Datasheet Bakker Magnetics

### **TM Drum magnets**

**version 1.1**

- Execution : Separating drum type TM  
Sturdy construction  
Permanent magnetic
- Drum : Stainless steel 1.4301, with idlers
- Surface treatment : Untreated
- Magnetic part : Magnetic area 180°  
Permanent ceramic magnets quality BM7 or  
Permanent Neodymium magnets quality BM35

Under normal circumstances Bakker Magnetics provides a life-time guarantee on the applied ceramic magnets.

Standard axle diameters to fit certain SEW motors (motor; separately available).  
Bakker Magnetics supplies a complete installation- and user manual in Dutch-, English- or German language (to be specified with order).

### **Standard version (TM)**

Article number	A	B	C	D	Weight (kg)
29.045	215	500	400	868	85
29.046	215	600	500	968	95
29.047	215	750	650	1118	120
29.048	215	900	800	1248	135
29.049	215	1100	1000	1448	165
29.050	315	500	400	927	100
29.051	315	600	500	1027	115
29.052	315	750	650	1177	140
29.053	315	900	800	1297	160
29.054	315	1100	1000	1497	190
29.055	400	500	400	979	160
29.056	400	600	500	1076	180
29.057	400	750	650	1226	210
29.058	400	900	800	1400	240
29.059	400	1100	1000	1600	280

Neodymium article numbers: .../01

Sizes and dimensions (in mm) as shown on the drawing on the last page.



**Bakker Magnetics**

Always ahead.

For more information or questions please contact us:

**Bakker Magnetics**

Sciencepark Eindhoven 5502  
5692 EL Son, The Netherlands

Division: Magnetic Separation Technology

Phone : +31 (0) 40 2 678 840

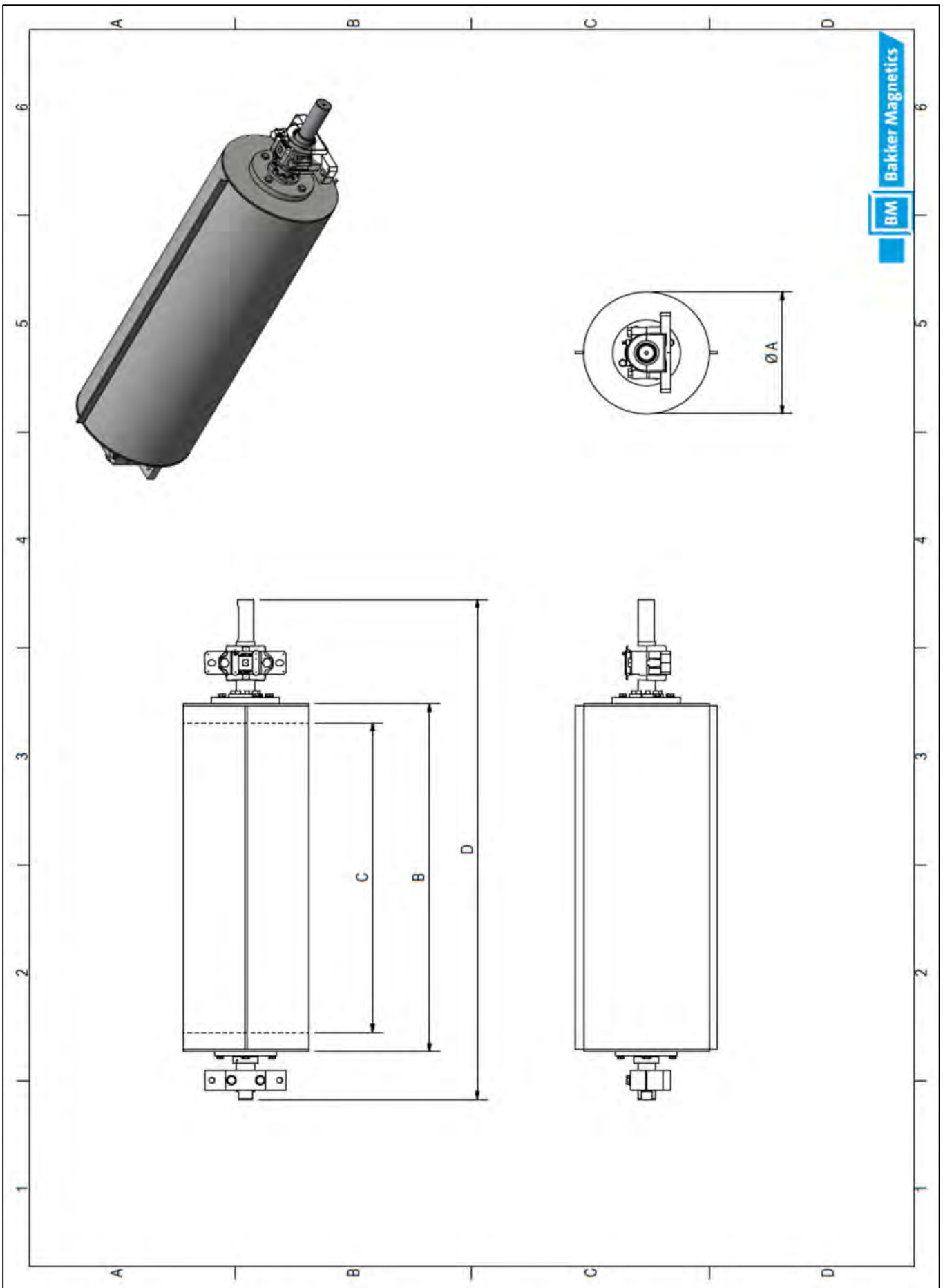
Mail : [mst@baktermagnetics.com](mailto:mst@baktermagnetics.com)

*Dimensions and shape of the magnet, in combination with required manufacturing processes, may cause the magnetic and physical characteristics to vary from typical values. Therefore, all data presented in this document are for general reference only and should not be relied upon to represent standard characteristics, nor are they guaranteed upon use. Bakker Magnetics reserves the right to change information in this document, including magnet performance standards, specifications, and characteristics without notice.*



**Bakker Magnetics**

Always ahead.



BM Bakker Magnetics

**BM** Bakker Magnetics

Always ahead.